

### Easy to Operate

An easy-to-access digital LCD controller enables touch-button operation and displays self-diagnostic notifications written in wording that makes sense to you, in the language of your choice.



### Dual Thermostats

Have your pool heated and your spa too! Dual thermostats allow you to enjoy your pool/spa combo as you like with water that's warm enough for you to swim in and a spa that's perfectly heated for a relaxing soak.



Pool

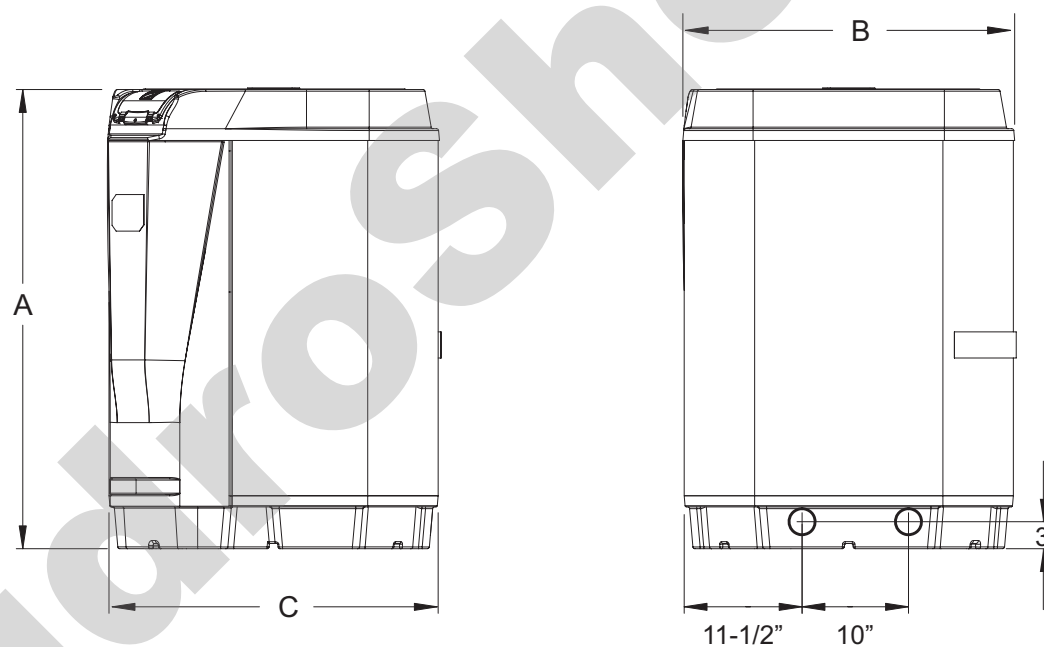


Spa

### SPECIFICATIONS

	JRT2000R	JRT2500R	JRT3000R
Output (BTU)	103,000	116,000	130,000
Input (kWH)	4.72	5.23	6.57
COP	6.4	6.5	5.8
Output (BTU)	96,000	109,000	124,000
COP	6.1	6.1	5.6
Output (BTU)	62,000	70,000	82,000
COP	4.1	4.1	4.0
Voltage	208/230V/60Hz	208/230V/60Hz	208/230V/60Hz
Minimum Circuit Ampacity	38	39	40
Max Over Current Protection	40	50	50
LRA	178	145	148
RLA	28.3	29	32.5
Compressor		Scroll	
Heat Exchanger		Titanium	
Optimal Water Flow (GPM)	42	48	57
Minimum Water Flow (GPM)	20	20	30
Maximum Water Flow (GPM)		70	
Weight	232	242	252

### DIMENSIONS



MODEL	A	B	C
JRT2000R	42"	32"	32"
JRT2500R	42"	32"	32"
JRT3000R	45"	32"	32"

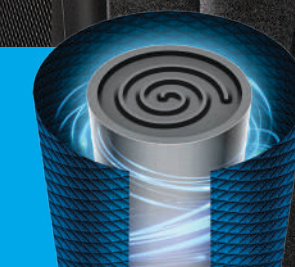


Jandy®

**HIGH PERFORMANCE.  
LESS NOISE.**



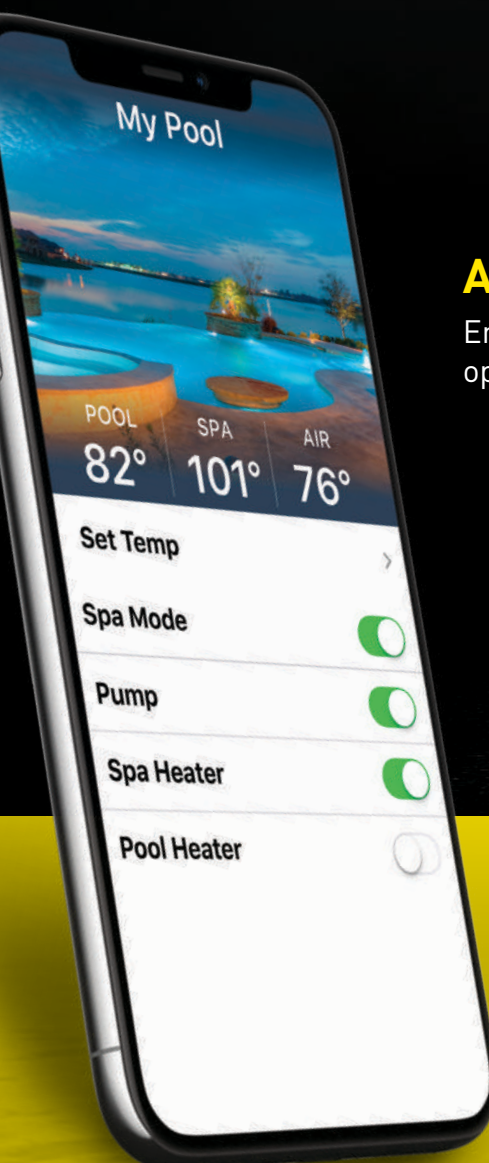
**SOUNDSHIELD™**  
Integrated sound-dampening technology



**VERSATEMP™**  
HEAT/CHILL PUMP

# WHY SETTLE FOR JUST WARM WHEN YOU CAN HAVE IT ANY WAY YOU LIKE...

The Jandy® VersaTemp™ Heat / Chill pump with SoundShield™ Technology regulates your pool and spa's temperature for the utmost comfort while significantly reducing operational noise. Designed for energy-efficient, eco-friendly performance and dual thermostats for pool/spa combinations, the VersaTemp offers intuitive operation with a built-in LCD panel and compatibility with AquaLink® automation systems for anytime, anywhere iAquaLink® app control.



## Anytime, Anywhere Control

Enjoy the convenience of on-the-go operation with the iAquaLink app.



## SoundShield™ Technology

Not a fan of loud noises? Heat your pool and/or spa with significantly less noise. Specially designed SoundShield Technology consists of a swept-wing blade design to decrease turbulence and a decibel dampening acoustic blanket to help muffle compressor reverberation for even quieter operation—because you should feel the heat, not hear the heat pump.

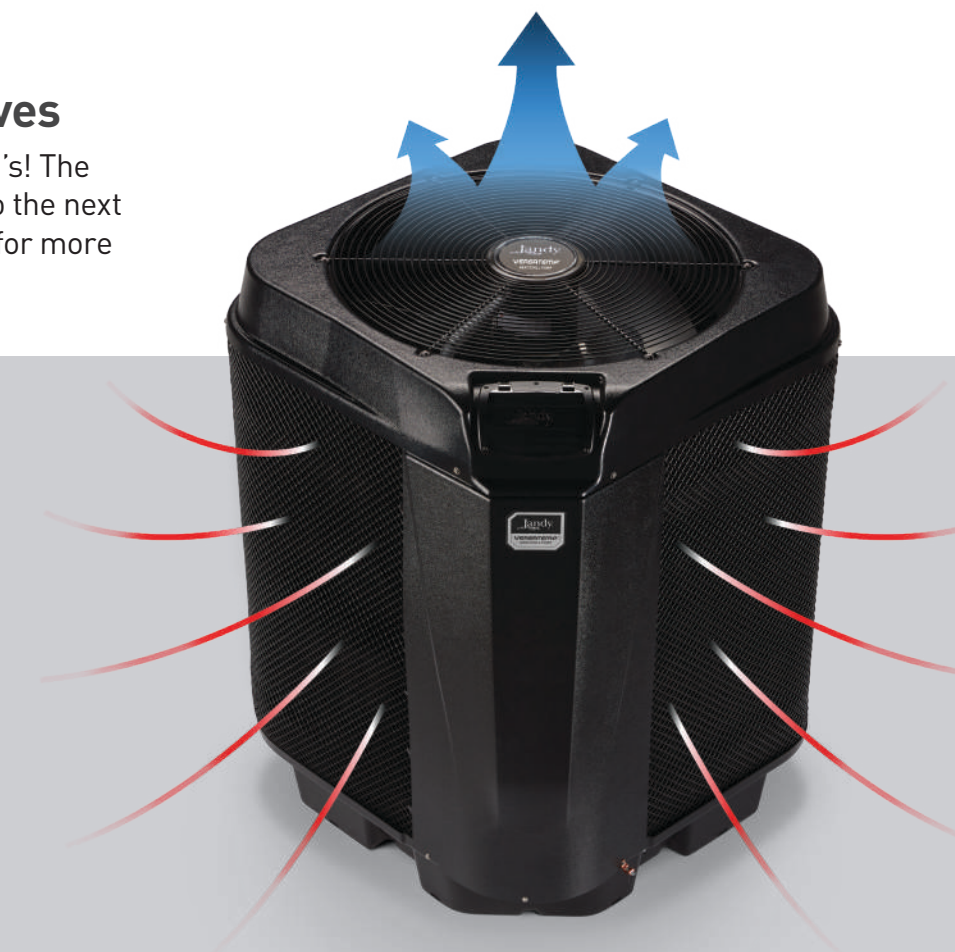
## Perfect Pool Temperature Year-Round

Why settle for just warm when you can have it any way you like... No matter what your preference, Jandy VersaTemp™ features innovative thermo control technology that can make your pool water the perfect temperature by either drawing heat from the air to warm the water or removing the heat from your pool to cool it down.



## Performance that Saves

Bring on the heat with more BTU's! The VersaTemp takes performance to the next level with increased heat output for more efficient and faster heating.



## Smaller Footprint

The VersaTemp features a smaller footprint\* for more compact pool pad setups.

\*Versus previous models

